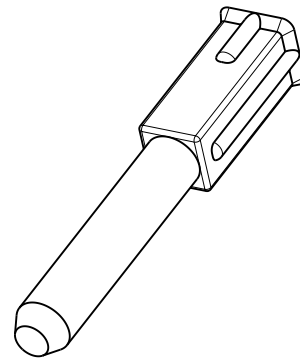
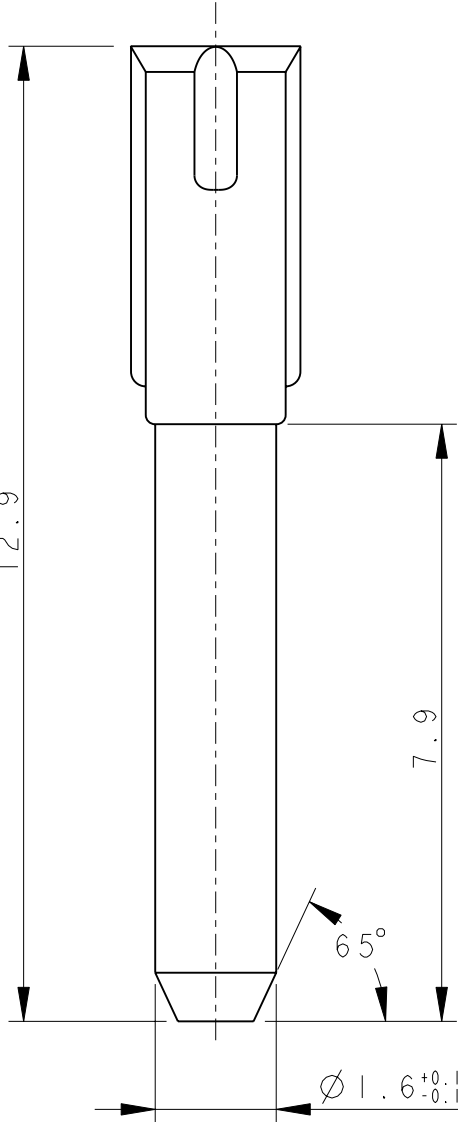
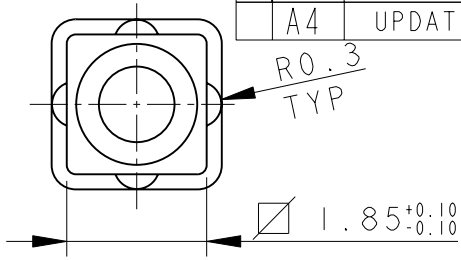


LOC	DIST	REVISIONS					
		P	LTR	DESCRIPTION	DATE	DWN	APVD
			A	FIRST ISSUE (ET00-0236-00)	11SEP2000	D.B.	A.G.
			A1	MODIFIED PART (ET00-0210-01)	28AUG01	D.B.	A.G.
			A2	RELEASED FOR PRODUCTION (ET00-0053-02)	27MAR02	F.A.	O.C.
			A3	UPDATED (ECR-07-026709)	20NOV07	F.A.	O.C.
			A4	UPDATED DRAWING (ECR-09-015687)	15JUL09	M.P.	M.G.



MATERIAL: PA6.6 COLOUR YELLOW  
(MATERIALE: PA 6.6 COLORE GIALLO)

- 2- THIS P/N IS SUITABLE TO PLUG  
UNUSED CAVITY ON TYCO CONNECTORS:  
P/N 284272 (ALL POLARIZATIONS)  
P/N 699943-1  
P/N 1-1419168-1

(QUESTO CODICE E' UTILIZZATO PER TAPPARE  
LE CAVITA' NON UTILIZZATE NEI CONNETTORI  
TYCO:  
- P/N 284272 (TUTTE LE POLARIZZAZIONI)  
- P/N 699943-1  
- P/N 1-1419168-1)

**P/N 284583-1 AS SHOWN**

THIS DRAWING IS UNPUBLISHED. 2001 RELEASED FOR PUBLICATION BY TYCO ELECTRONICS CORPORATION. ALL RIGHTS RESERVED. © COPYRIGHT 2001

DIMENSIONS: mm	DWN D.BISETTI	I ISEP00	MATERIAL		FINISH	
	CHK O.CANUTO	I ISEP00	AMP Italia S.p.A. C.so F.lli Cervi 15 Collegno (TO)			
TOLERANCES UNLESS OTHERWISE SPECIFIED:	APVD A.GENTA	I ISEP00	Tyco Electronics			
	PRODUCT SPEC	-	NAME CAVITY PLUG			
0 PLC ±0.3	APPLICATION SPEC	-	SIZE	CAGE CODE	DRAWING NO	RESTRICTED TO
1 PLC ±0.3			A 4	00779	C-284583	-
2 PLC ±0.3			CUSTOMER DRAWING			
3 PLC ±-	WEIGHT	-	SCALE	10:1	SHEET	1 OF 1
4 PLC ±-			REV A4			
ANGLES ±2°						